

ROSE



ANY QUESTIONS?

technik@rosebikes.com

ROSE Bikes GmbH
Schersweide 4
46395 Bocholt, Germany

REVEAL

FOUR DISC / SIX DISC
FRAME DETAILS

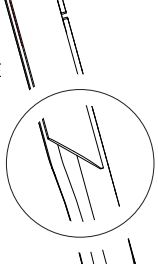
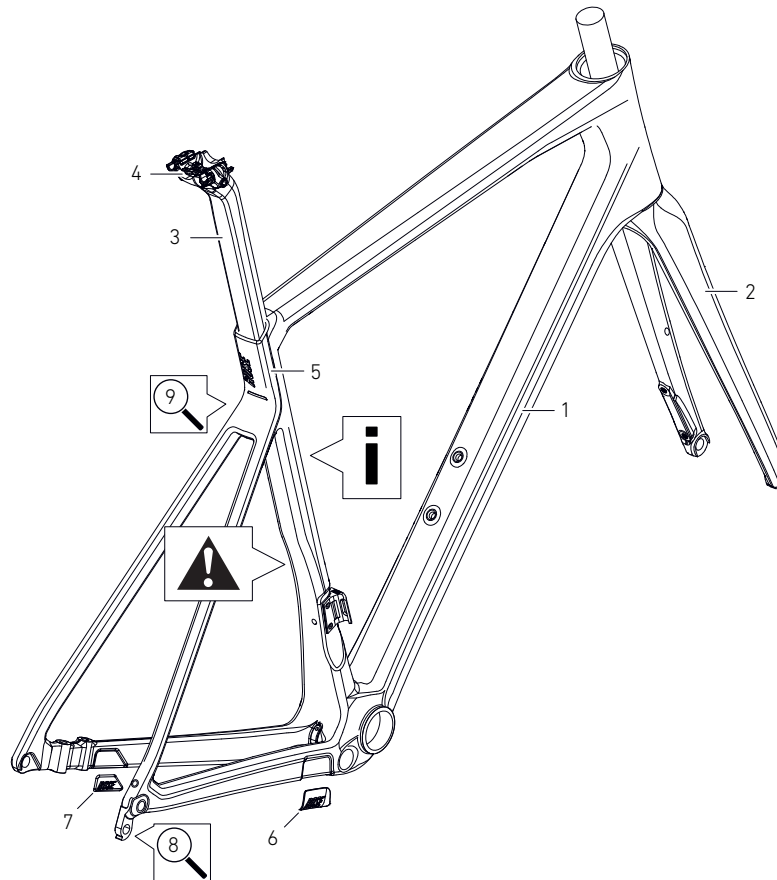
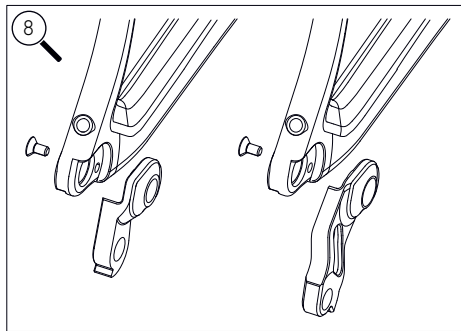
REVEAL

FOUR DISC / SIX DISC FRAME DETAILS

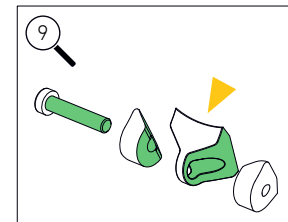
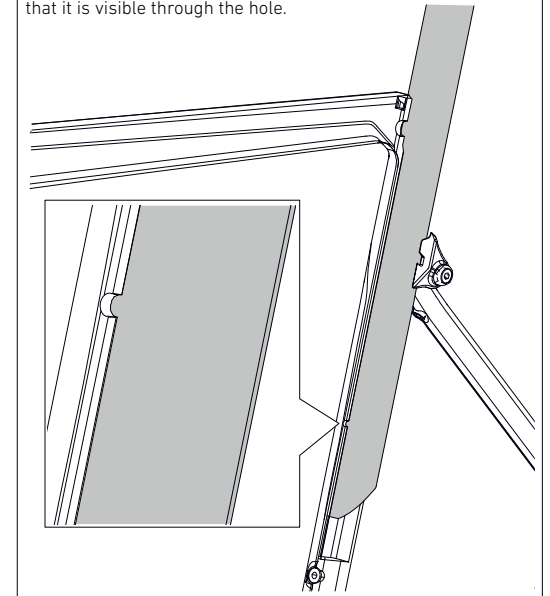
CAUTION

RISK OF DAMAGE TO THE FRAME BY EXCEEDING THE MAXIMUM INSERTION DEPTH OF THE SEAT POST!

The frame's seat tube tapers at the bottom. The seat post must not touch this taper during operation.

i There is a hole in the seat tube of the frame to verify the minimum seat post insertion depth.
The seatpost must always be inserted that far, that it is visible through the hole.

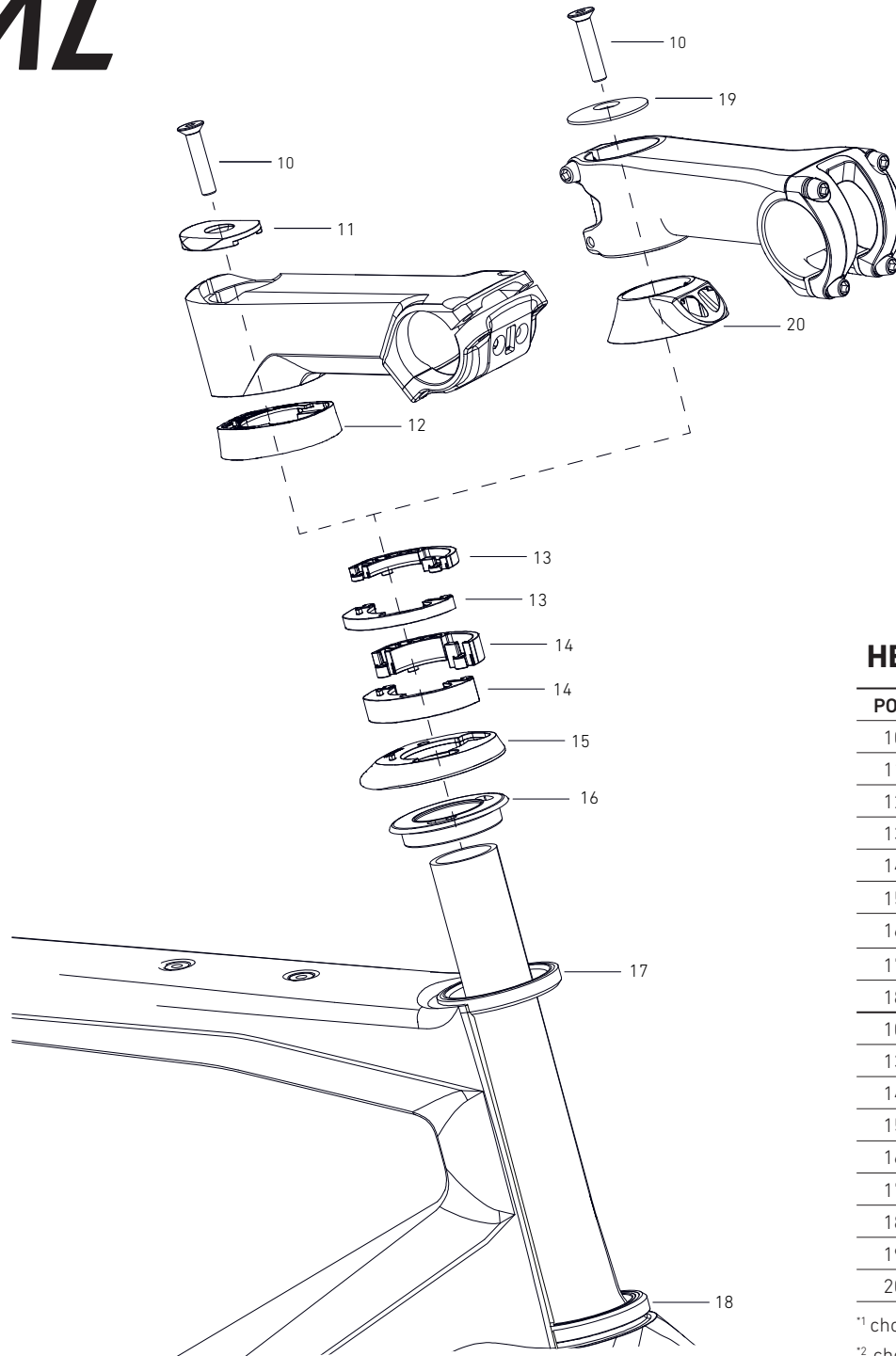


POS.	DESCRIPTION	SPECIFICATIONS	ART. NR.
1	frame REVEAL FOUR DISC	color: aurora / yellow	2289297
		color: black / red	2289298
		color: aurora / yellow	2294002
	frame REVEAL SIX DISC	color: black / grey	2289301
2	fork REVEAL FOUR DISC	color: black	2289408
	fork REVEAL SIX DISC	color: black / grey	2289410
3	seatpost	25 mm setback	2297790
		8 mm setback	2299453
4	saddle clamp	Ø 7 mm rail	2284193
5	seatpost clamp cover		2289340
6	chain suck plate		2289351
7	disc suck plate		2289352

POS.	DESCRIPTION	SPECIFICATIONS	ART. NR.
8	SRAM disc hanger	incl. fixing screw	2289316
	Shimano disc hanger	incl. fixing screw	2289315
9	seatpost clamp	torque: max. 5 Nm	2289345
	PU foam down tube cable routing		2289350
	Di2 front derailleur hole plug		2198822
	Di2 rear derailleur hole plug		2289347
	end cap	Jagwire 4.2 mm, black, alloy	1974766
	plug seatpost clamp screw		2178624
	GREASE	Motorex Bike Grease 2000 100 g	49208600
	CARBON ASSEMBLY PASTE	for example DYNAMIC, Art. Nr. 25377201	

REVEAL

FOUR DISC / SIX DISC
FRAME DETAILS



HEADSET DETAILS

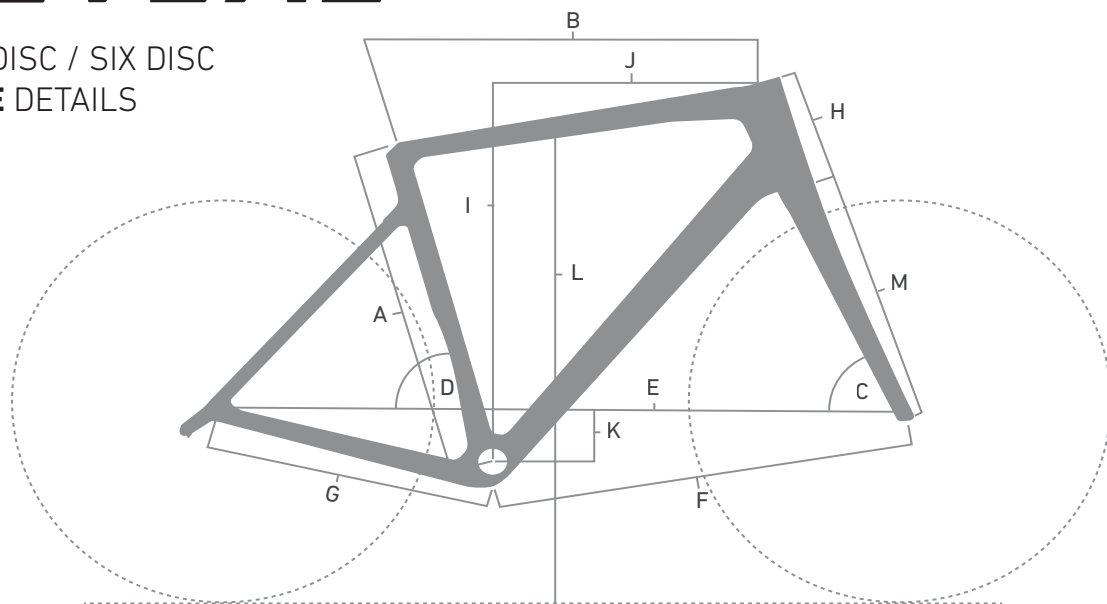
POS.	DESCRIPTION	SPECIFICATIONS	ART. NR.
10	countersunk head screw	DIN7991, M6 X 30 mm	2292459
11	top cap		
12	top cover	for fully integrated cable routing	
13	spacer	different heights available ¹	
14	spacer	different heights available ¹	
15	headtube cover		
16	compression ring	Ø1 1/8"	230922801
17	upper bearing	42 x 52 x 7 mm	
18	lower bearing	40 x 52 x 7 mm, R1	
10	countersunk head screw	DIN7991, M6 X 30 mm	
13	spacer	different heights available ²	
14	spacer	different heights available ²	
15	headtube cover		
16	compression ring	Ø1 1/8"	
17	upper bearing	42 x 52 x 7 mm	
18	lower bearing	40 x 52 x 7 mm, R1	
19	top cap		
20	top cover	for semi integrated cable routing	

¹ choose art. nr. 2292460

² choose art. nr. 2299271

REVEAL

FOUR DISC / SIX DISC FRAME DETAILS



FRAME GEOMETRY

SIZE		50	53	55	57	59	61	64
SEATTUBE LENGTH [MM]	A	450	475	495	515	537	566	600
TOPTUBE LENGTH HORIZONTAL [MM]	B	512	530	542	554	568	590	615
HEAD TUBE ANGLE	C	71,5°	72°	72,5°	73°			
SEAT TUBE ANGLE	D	75°	74,5°	74,25°	74°	73,5°	73°	72,5°
WHEELBASE [MM]	E	976	984	991	995	1008	1027	1049
FRONT CENTER [MM]	F	578	585	590	595	604	620	639
REAR CENTER [MM] (CHAINSTAY LENGTH)	G	410		412		415	417	420
HEADTUBE LENGTH [MM]	H	120	142	154	170	190	208	230
STACK [MM]	I	536	558	572	589	605	622	643
REACH [MM]	J	368	375	381	385	389	400	412
STACK TO REACH RATIO		1,46	1,49	1,50	1,53	1,56		
BB DROP [MM]	K	75				72		
STAND-OVER HEIGHT (100 MM BEFORE BB)	L	750	773	790	808	830	852	879
FORK LENGTH [MM]	M					384		
FORK OFFSET [MM]						46		

FRAME INTERFACES

BOTTOM BRACKET	Shimano: SM-BB72-41B Pressfit Sram: DUB PF Road 86,5
FRONT WHEEL AXLE	12 x 100 mm; ROSE Art. Nr.: 227585701
REAR WHEEL AXLE	12 x 142 mm; ROSE Art. Nr.: 227469001
FRONT BRAKE MOUNT	Flatmount 160 mm
REAR BRAKE MOUNT	Flatmount 160 mm
MAX Ø DISC	front & rear: 160 mm
Ø SEATPOST	D-shape
MAX. TIRE SIZE	700x32c
MAX. CHAINRING SIZE	53/39
BOTTLE CAGE	yes, 2x

MAX SYSTEM WEIGHT (RIDER + BICYCLE + CLOTHING + GEAR + LUGGAGE): 110 KG